

Electric SPIRALIX

Finned tube radiators with a heating unit

This popular industrial style of heating is increasingly finding its way into new modern houses. While electrical connection allows for independent heating, its shape lends each unit a touch of uniqueness. A variety of shades selected from the colour chart produce an original look accentuated by the use of metallic or structured colours for example.



Range of products and basic data

- models RA1, RAT2, RAO2
- tube/fin diameter Ø57/137 mm
- tube/fin diameter Ø76/156 mm
- design vertical/horizontal
- power 200 to 1200 W
- length 500 - 2000 mm, step 250
- colour mm as per the colour chart
- vertical mounting wall
- horizontal mounting floor and wall

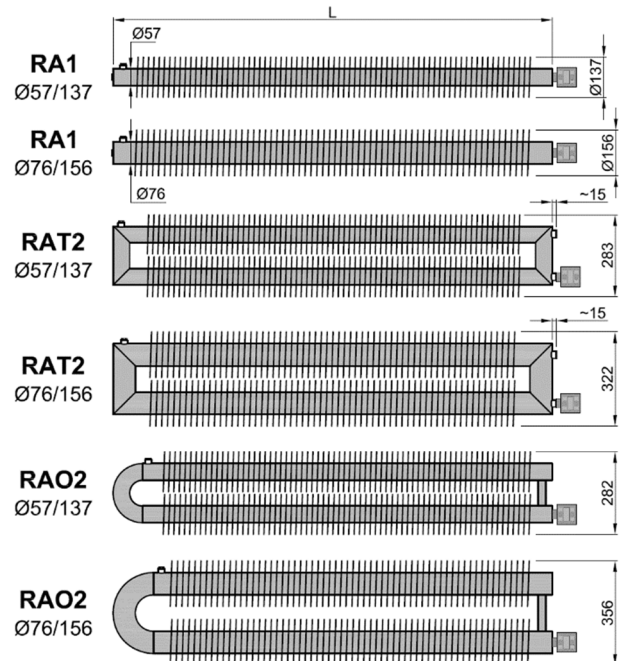
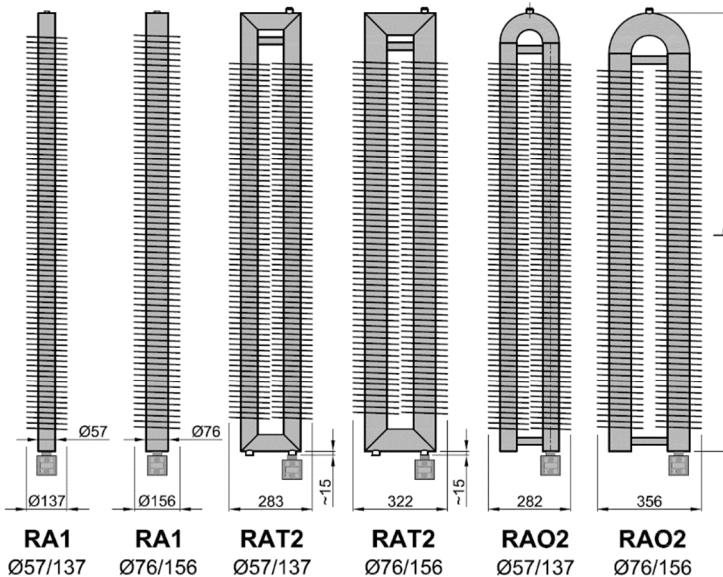
Applications

- administrative building entry halls
- new housing developments
- technically designed interiors
- hotels, restaurants, quest houses
- churches, homesteads, country houses
- technical and farm buildings
- airports, train stations, military quarters
- corridors

Product range

Vertical models

Horizontal models



Max. recommended power input [W]

Vertical models

Model	Dimension [mm]	Length L = 500 mm	750 mm	1000 mm	1250 mm	1500 mm	1750 mm	2000 mm
RA1	Ø57 x 137	200 W	200 W	300 W	300 W	400 W	400 W	500 W
RA1	Ø76 x 156	200 W	200 W	300 W	300 W	400 W	500 W	600 W
RAT2, RAO2	Ø57 x 137	200 W	300 W	400 W	500 W	600 W	700 W	800 W
RAT2, RAO2	Ø76 x 156	200 W	400 W	500 W	600 W	700 W	900 W	1 000 W

Horizontal models

Model	Dimension [mm]	Length L = 500 mm	750 mm	1000 mm	1250 mm	1500 mm	1750 mm	2000 mm
RA1	Ø57 x 137	200 W	300 W	400 W	400 W	500 W	600 W	700 W
RA1	Ø76 x 156	200 W	300 W	400 W	500 W	600 W	700 W	800 W
RAT2, RAO2	Ø57 x 137	300 W	400 W	600 W	700 W	900 W	1 000 W	1 200 W
RAT2, RAO2	Ø76 x 156	300 W	500 W	700 W	900 W	1 000 W	1 200 W	1 200 W

* if a rod with the specified power is not available for the selected type of regulation, the nearest lower input power is installed.

Electric SPIRALIX

Finned tube radiators with a heating unit



Stone regulator, Spiralix RAT2 Ø 76/156

Regulators with the Nexus system

nexus
easy connect



Solo

- basic regulator with Nexus system designed for electric dryers
- control by touch buttons
- operating modes (timer, boost, antifreeze)

Rio

- stylish regulator with Nexus system for electric radiators
- easy-to-read backlit LCD display
- operating modes (timer, boost, antifreeze)
- Wi-Fi option for remote control of the regulator

Neo

- stylish regulator with Nexus system for electric radiators
- tilted backlit LCD display for easy operation
- operating modes (ECO, weekly program, open window detection)
- Wi-Fi option for remote control of the regulator

Coding example

Spiralix type			Tube diameter			Length				Mounting	Electric	Colour code		Atypical
1	2	3	4	5	6	7	8	9	10	11	12	13	14	15
Z	-	1	0	7	6	1	5	0	0	V	M	0	1	-
Z	0	2	0	5	7	0	9	0	0	W	Z	0	1	N

Spiralix type: RA1 code Z-1
position 1-3 RAT2 code ZT2
RAO2 code ZO2

Pipe diameter: Ø 57/137 code 057
position 4-6 Ø 76/156 code 076

Length: 0500, 0750, 1000, 1250,
position 7-10 1500, 1750, 2000

Mounting: vertical on wall code V
position 11 horizontal on wall code W
horizontal on wall code F

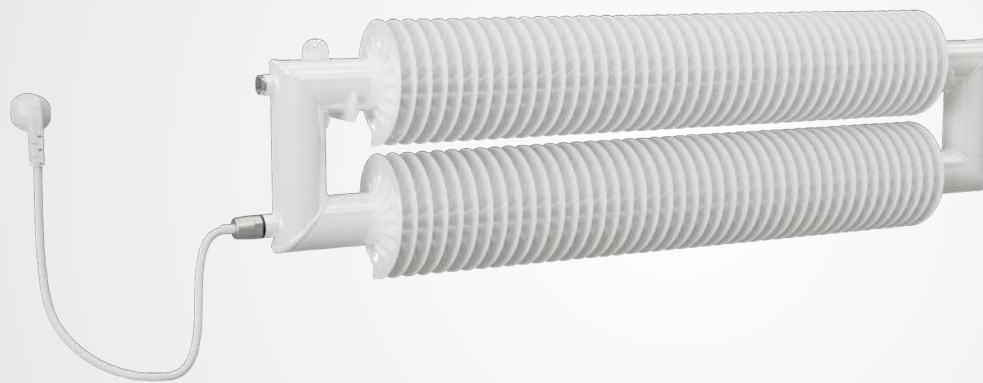
Electric: basic heating rod code Z
position 12 Mini PW regulator code M
KTX3 regulator code K
Stone regulator code U

Colour: colour chart e.g.: code 01 (snow white)
position 13-14 code 61 (anthracite)

Atypical: standard design code -
position 15 atypical design code N

Spiralix Electro

Electricity is ubiquitous, offering us far more options as to the placement of the “helix”. **Spiralix Electro** is a stand-alone heating unit connected to the mains. Common installation locations include hallways, dressing rooms, garages, workshops, restaurant central pillars, underneath waiting room benches, basically anywhere electricity is available. The distinctive industrial design will add a touch of originality to your interior, while the wide range of available colours will allow you to stylishly incorporate the radiator into the surrounding space. It can be ordered with or without a controller to be connected to your own SMART system.



△ Spiralix
RAT2-W



△ Spiralix
RA1-V

Basic specifications

Material	strip steel coiled on a thick-walled steel pipe, filled with operating fluid and fitted with a heating rod
Models	RA1, RAT2, RAO2
Tube × fin diameter	Ø57×137 mm, Ø76×56 mm
Length	500–2 000 mm (in step 250 mm)
Horizontal mounting	floor and wall
Vertical mounting	wall
Base colour	snow white RAL 9016 (colour code - 01)
Additional colours	as per Laurens and the basic RAL colour charts

Operating conditions

Operating voltage	230 V AC, 50/60 Hz
Protection	IPX4
Control / regulation	thermostat, regulator or basic without control
Ambient conditions	ambient temperature +2 to +40 °C relative humidity 20-70%

Control

Rio, Neo, Vision	LCD thermostat with weekly programming
Solo, Mini PW	radiator power regulator
Basic Z heating rod	heating rod without regulation

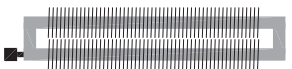
Electricity takes the leading role



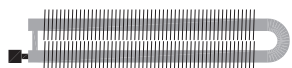
Horizontal models



RA1

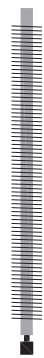


RAT2

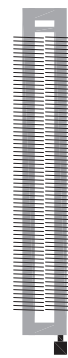


RAO2

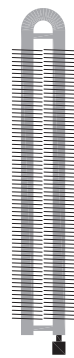
Vertical models



RA1



RAT2



RAO2

Spiralix Electro heating output

The heating output of electric Spiralix units is determined by the power input of the heating rod.

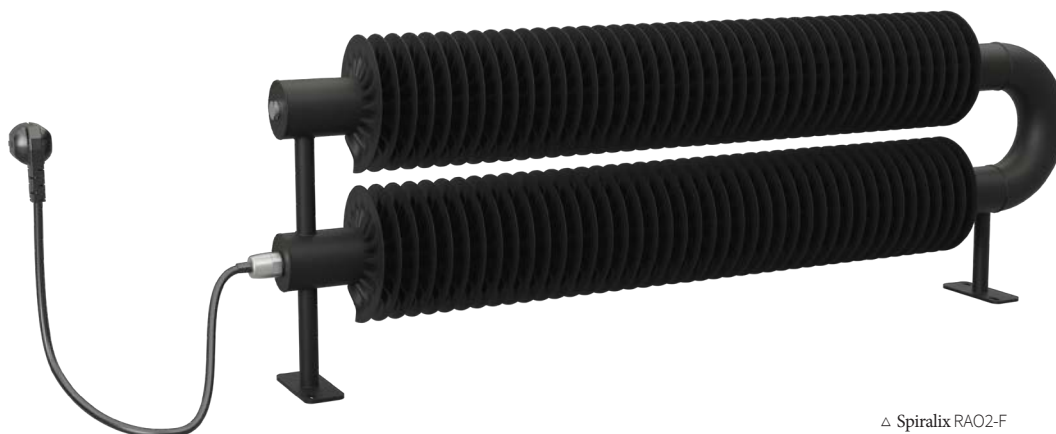
Max. recommended power input [W]

Type	Model	Length [mm] / Max. recommended power input [W]						
		500	750	1000	1250	1500	1750	2000
Vertical models								
RA1	Ø57x137	200	200	300	300	400	400	500
RA1	Ø76x156	200	200	300	300	400	500	600
RAT2, RAO2	Ø57x137	200	300	400	500	600	700	800
RAT2, RAO2	Ø76x156	200	400	500	600	700	900	1000

Horizontal models

Type	Model	Length [mm] / Max. recommended power input [W]						
		500	750	1000	1250	1500	1750	2000
RA1	Ø57x137	200	300	400	400	500	600	700
RA1	Ø76x156	200	300	400	500	600	700	800
RAT2, RAO2	Ø57x137	300	400	600	700	900	1000	1200
RAT2, RAO2	Ø76x156	300	500	700	900	1000	1200	1200

Note: if a rod with the specified power is not available for the selected type of regulation, the nearest lower input power is installed.



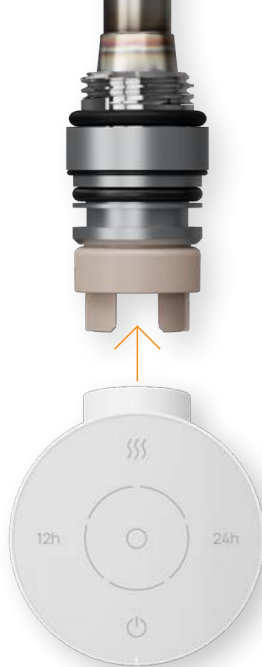
△ Spiralix RAO2-F
Electro

Regulators

Regulators with Nexus system

The innovative heating rod - regulator connection facilitates the replacement of the existing regulator for a new one with a different design or improved functions. Our range includes basic regulators, regulators with advanced functions or Wi-Fi connectivity.

nexus
easy connect



NEW PRODUCT

Benefits



Nexus system heating rod compatibility with any Nexus regulator



quick and easy installation*

*Installation may only be performed by qualified persons

Solo

A basic regulator with Nexus system designed for electric dryers controlled by touch buttons. It supports various operating modes, including timer, boost and antifreeze. The timer activates the heating function every 12 or 24 hours.



Order code: O30-1S000G01-01_EN

Order code: O30-1S000G80-01_EN

Technical data

Operating modes

- timer 12 h and timer 24 h
- manual
- stand-by
- boost
- antifreeze
- lock screen
- factory reset

Power range 5 levels adjustable by settings based on electric heating element power capacity

Installation (vertical models) on the right side (on the left side - must be specified in the order)

Connection system	Nexus
Connection	straight 120 cm electric cable terminated with a plug
Display type	capacitive touchscreen interface
Colour of display	white/black
Colour of regulator	chrome/white
Protection zone	2 and 3
Available heating rods	200 W-1 200 W
Dimensions	61.5 × 70 × 50 mm
Power supply	230 V/ 50 Hz
Protection category	I
Degree of protection	IPX4
Working temperature	0°-40°C
Max humidity level	RH 85% at 25°C (without condensation)

Rio



A stylish regulator with Nexus system for electric radiators with an easy-to-read backlit LCD display and intuitive control. Its shape lends itself to being used with all designer radiators. Operating modes such as ECO, weekly programming, open window detection and a built-in temperature sensor help reduce heating costs. Available in a WIFI version that allows the regulator to be controlled using a mobile app.



Order code: O30-1S000Q01-01_EN

Order code: O30-1S000F01-01_EN (WIFI)

Order code: O30-1S000Q80-01_EN

Order code: O30-1S000F80-01_EN (WIFI)

Technical data

Operating modes

- comfort
- ECO
- weekly program
- open window detection
- antifreeze
- boost
- keyboard lock
- factory reset

Temperature range of room +7°C to +25°C

Installation (vertical models) on the right side (on the left side - must be specified in the order)

Connection system	Nexus
Connection	straight 120 cm electric cable terminated with a plug
Display type	LCD with backlit
Colour of regulator	white/chrome
Protection zone	2 and 3
Available heating rods	200 W-1200 W
Dimensions	61.5 × 70 × 50 mm
Power supply	230 V/ 50 Hz
Protection category	I
Degree of protection	IPX4
Working temperature	0°-40°C
Max humidity level	RH 85% at 25°C (without condensation)
WIFI connection	available WIFI version

Neo



A stylish regulator with Nexus system for electric radiators with an easy-to-read backlit LCD display and intuitive control. The tilt of the display improves its readability and facilitates operation. Operating modes such as ECO, weekly programming, open window detection and a built-in temperature sensor help reduce heating costs. Available in a WIFI version that allows the regulator to be controlled using a mobile app.



Order code: O30-1S000Y01-01_EN
Order code: O30-1S000X01-01_EN (WIFI)



Order code: O30-1S000Y80-01_EN
Order code: O30-1S000X80-01_EN (WIFI)

Technical data

Operating modes

- comfort
- ECO
- weekly program
- open window detection

Temperature range of room

Working temperature

Installation (vertical models)

Connection system

Connection

- antifreeze
- boost
- keyboard lock
- factory reset

+7°C to +25°C

0°–40°C

on the right side

Nexus

straight 120 cm electric cable terminated with a plug

Display type

Colour of regulator

Protection zone

Available heating rods

Dimensions

Power supply

Protection category

Degree of protection

Max humidity level

WIFI connection

LCD with backlit

white/chrome

2 and 3

200 W–1 200 W

140 × 66 × 60 mm

230 V/ 50 Hz

I

IPX4

RH 85% at 25°C (without condensation)

available WIFI version

Other regulators

Z heating rod

Z heating rod, without a regulator. Standard right lower flow pipe installation. Left-side installation requirement must be specified in the order.

NEW PRODUCT



Technical data

Working voltage	230 V/50 Hz
Protection category	I
Degree of protection	IP44
Installation (vertical models)	on the right side (on the left - must be specified in the order)
Connection thread	G 1/2" outer
Connection	coiled 120 cm electric cable terminated with a plug
Colour of cable	white/black

Mini PW

A basic regulator with a dial for controlling the dryer output at a scale of 20 to 100% of the rated output. In the min. position the regulator is OFF, while in the max. position it remains constantly ON.



Technical data

Working voltage	230 V/50 Hz
Protection category	I
Degree of protection	IPX4
Working temperature	0-50°C
Working humidity	0-85 % (without condensation)
Power range	20-100 % of the nominal output of towel dryer
Installation (vertical models)	on the right side (on the left side - must be specified in the order)
Connection thread	G 1/2" outer (on the heating rod)
Connection	straight 120 cm electric cable terminated with a plug
Colour of regulator	white/chrome
Colour of cable	white/grey
Protection zone	2 and 3
Available heating rods	200 W-1 200 W
Dimensions	65 x 75 x 40 mm

Vision



NEW PRODUCT

A programmable electrical regulator with a large TFT display. The tilt angle of the display improves its readability and facilitates control. The regulator can be controlled manually or via the Tevolve app from anywhere with Internet access. Operating modes such as ECO, hourly programming or open window detection help cut down on heating costs.



Gateway

- electric heating controller
- multiple unit control
- energy saving



Technical data

Operating modes	<ul style="list-style-type: none"> · antifreeze · boost · keyboard lock · factory reset · manual 	Display type	TFT display with backlit
· comfort		Colour of regulator	white / black
· ECO		Protection zone	2 and 3
· weekly program		Available heating rods	200-1 200 W
· open window detection		Dimensions	150 x 70 x 38 mm
Communication radio frequency	868 MHz	Power supply	230 V / 50 HZ
Installation	on the right side	Protection category	I
Connection thread	G1/2" outer (on the heating rod)	Degree of protection	IP44
Connection	straight 120 cm electric cable terminated with a plug	Working temperature	0°-40°C